

Connector, form A, analogue with EN 175301-803 (ISO 4400)

Housing

Type	one-piece
Color	black
Material	PA6 GF20
Imprint	warning text; white; front side

Cable gland

Thread	1/2" NPTF
Cable diameter	n/a
Color	n/a
Material	PA6 GF20
Tightening torque	1,8 ± 0,2 Nm

Terminal block

Material	PA6 GF20
Poles	2 + PE
Direction of protecting earth	12 h
Contact distance	18 mm

Contacts

Material	CuZn, tin-plated
Resistance	< 15 mOhm
Conductor cross-section	0,5 - 1,5 mm ²
Tightening torque	0,2 ± 0,1 Nm
Wire protection	with protection element

Gasket

Material	NBR, black
Type	profile

Fastening screw

④	Material	A2-50 (stainless steel)
	Size	M3 x 34,0 mm (with cross recess)
	Tightening torque	0,4 ± 0,1 Nm
	Sealing washer	n/a

Circuit

Circuit	n/a
Color of LED	n/a
Protecting element	n/a
Voltage	0 - 250V
Current type	AC / DC
Operating current	max. 10 A
Protecting against wrong polarity	yes

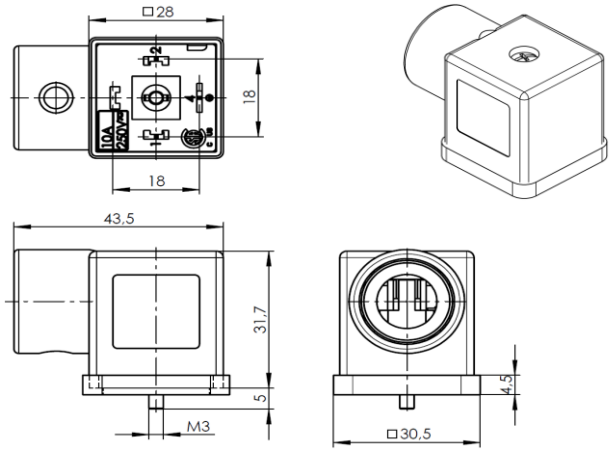
General properties

④	Ambient temperature range	-25°C ... +80°C
	RoHS	yes
	CSA approval	yes
	Protection grade (IEC 60529) *	IP65

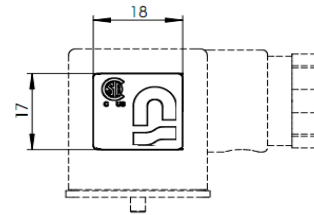
Packaging

100 pcs packaging. Terminal block and housing are packed in pre-assembled condition. Fastening screw is inserted in the packet in packaged condition. Profile gasket is inserted into the packet in packaged condition.

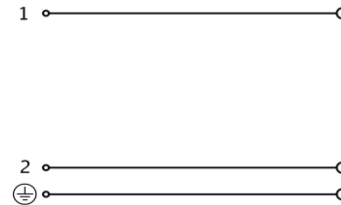
* Must be tested in properly mounted state on the counterpart. The cable entry must be sealed before the test.



Logo



Circuit diagram



				Zulässige Abweichung für Maße ohne Toleranzangabe Unless otherwise specified tolerances	Format/Size: A4	Maßstab/Scale:	Gewicht/Weight:				
				DIN ISO 2768-v	Werkstoff: Material:						
4	30139	2020.07.20	AKO	Schutzvermerk beachten Observe protection note ISO 16016	Benennung: Title:	<h1>Connector field att. A oS EZ</h1>					
3	28630	2018.09.07	GJO		Ident. - Nr.: 611-201-0084			Freigabe-Nr.: Approval no.:	26423	Blatt: Sheet:	1/1
2	28539	2018.07.05	GJO					Ersatz für/Replacement for:			
1	26481	2015.11.04	PKR								
Ind Rev	Änderung-Nr. Change no.	Datum Date	Name By								
Geprüft: 2020.07.20 Checked: JONAS											
Erstellt: 2015.09.11 Created: KROZSER											

SAP TIM