

# M12 round connector acc. to IEC 61076-2-104:2008

SAP TIM

## General specifications

Form	M12
Connection	female
Connection type	angled
Number of pins	8

## Mechanical specifications

Contact elements	spring-loaded contact socket
Pin diameter	1 mm
Contact materials	CuSn / Au
Contact surface	Au
Body	TPU, black
Sleeve connector	Diecast zinc

## Cable

Sheath material	PVC
Sheath color	black
Sheath diameter	Ø 6 mm
Length	3 m ± 50mm
Core isolation	PVC
Number of cores	8-core
Conductor construction	19 x Ø 0,15mm
Cross-section	8x0,34 mm <sup>2</sup>

## Elektrical specifications

Operating voltage	max. 60V DC
Operating current	max. 4A

## General properties

Ambient temperature	-5 ... +70°C
IP protection degree acc. to EN 60529:2000	IP67/IP68/IP69K

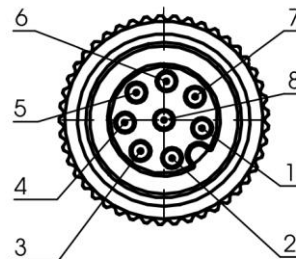
## Packaging

Single package

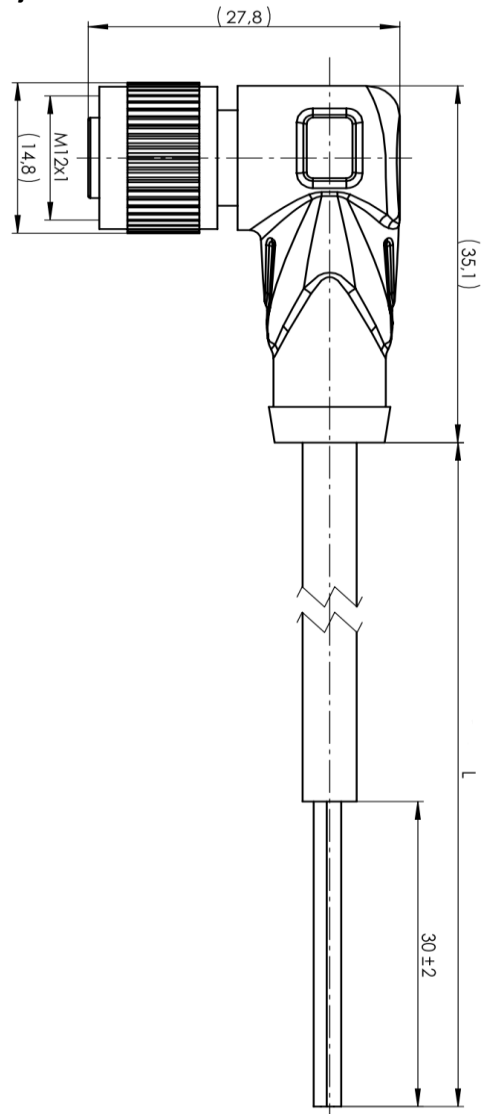
## Color of cores

- 1-white
- 2-brown
- 3-green
- 4-yellow
- 5-grey
- 6-pink
- 7-blue
- 8-red

## Positions of contacts



Projected view



				Zulässige Abweichung für Maße ohne Toleranzangabe Unless otherwise specified tolerances  DIN ISO 2768-v	Format/Size: A4	Maßstab/Scale:	Gewicht/Weight:
				Schutzvermerk beachten Observe protection note ISO 16016	Benennung: Title:  <b>Round connector M12 female angled 8/8 PVC 3,00m</b>		
Ind Rev	Änderung-Nr. Change no.	Datum Date	Name By		Ident. - Nr.:	Freigabe-Nr.: Approval no.:	Blatt: Sheet:
Geprüft: Checked:	03.11.2016 PAL				<b>617-202-0192</b>	27182	1/1
Erstellt: Created:	03.11.2016 MANGRA				Ersatz für/Replacement for:		