

M12 round connector acc. to IEC 61076-2-104:2008

SAP TIM

General specifications

Form M12
 Connection female
 Connection type angled
 Number of pins 5

Mechanical specifications

Contact elements spring-loaded contact socket
 Pin diameter 1 mm
 Contact materials CuSn / Au
 Contact surface Au
 Body TPU, black
 Sleeve connector Diecast zinc

Cable

Sheath material PUR
 Sheath color grey
 Sheath diameter Ø 4,8 mm
 Length 5 m ± 50mm
 Core isolation polypropylene
 Number of cores 5-core
 Conductor construction 19 x Ø 0,15mm
 Cross-section 5x0,34 mm²

Elektrical specifications

Operating voltage max. 60V DC
 Operating current max. 4A

General properties

Ambient temperature -20 ... +80°C
 IP protection degree acc. to EN 60529:2000 IP67/IP68/IP69K

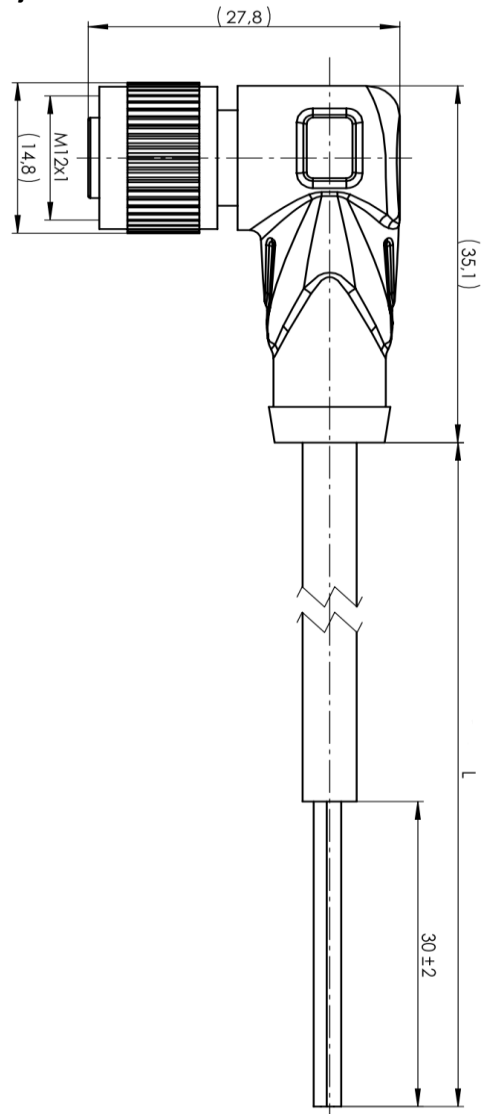
Packaging

Single package

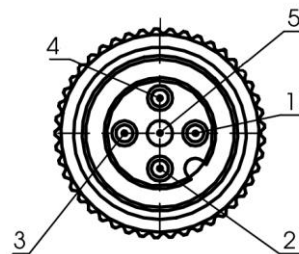
Color of cores


1-brown
 2-white
 3-blue
 4-black
 5-grey

Projected view



Positions of contacts



				Zulässige Abweichung für Maße ohne Toleranzangabe Unless otherwise specified tolerances DIN ISO 2768-v	Format/Size: A4	Maßstab/Scale:	Gewicht/Weight:
				Schutzvermerk beachten Observe protection note ISO 16016	Benennung: Title: Round connector M12 female angled 5/5 PUR 5,00m		
Ind Rev	Änderung-Nr. Change no.	Datum Date	Name By		Ident. - Nr.: 617-202-0198	Freigabe-Nr.: Approval no.: 26886	Blatt: Sheet: 1/1
Geprüft: Checked: 01.08.2016 PAL					Ersatz für/Replacement for:		
Erstellt: Created: 01.08.2016 MANGRA							