

Molded connector, form B, industrial type

Molded sheathing

Color anthracite (translucent)
 Material TPU
 Imprint circuit diagram; white; on front side

Terminal block

Material PA6 GF15
 Poles 2 + PE
 Direction of protecting earth 12 h
 Contact distance 11 mm

Cable

Jacket PVC, black
 Internal cores yellow/green, blue, brown
 Cores x cross-section 3 x 0,75 mm²
 Outer diameter ca. 6,7 mm
 Length (L) 2,00 m
 Stripping (A) 30,0 mm
 Core ends equipped with wire end sleeves
 Temperature range (fix) -30 ... +80°C
 Temperature range (flexible) -5 ... +70°C

Contacts

Material CuZn, coated with Cu/Sn
 Forward resistances < 15 mOhm

Gasket

Type TPU, molded

Fastening screw

Material A2-50 (stainless steel)
 Size M3 x 26,0 mm
 Recess type cross recess (type H) with longitudinal slot
 Tightening torque 0,4 ± 0,1 Nm

Circuit

Built-in electronics LED + varistor
 LED red
 Protecting element yes, varistor
 Voltage range 230 V ± 15 %
 Current type AC/DC
 Operating current max. 1,50 A (Derating is to be considered.)
 Protection against wrong polarity yes

General properties

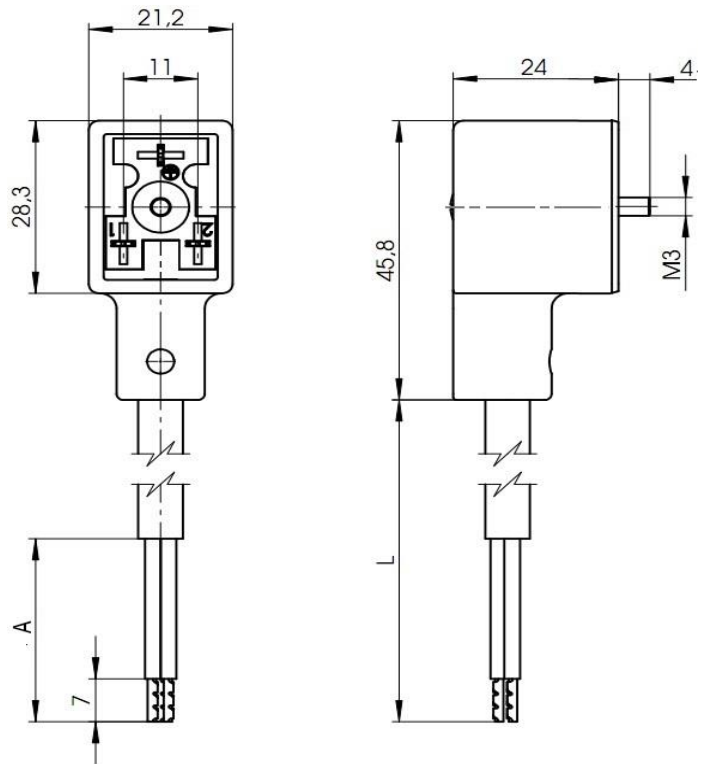
Temperature range * -25 ... +90°C
 RoHS yes
 Protection grade (IEC 60529) ** IP67

Packaging

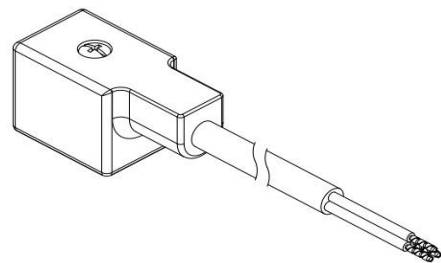
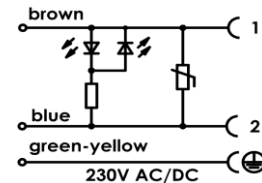
Single packaging. The molded connector is single packed in the plastic bag and inserted into the cardboard box. Fastening screw is inserted into the plastic bag. Product informations are displayed on the label of the plastic bag. Kunststoffbeutel Größe ist 200X300mm.

* Depends on the connected cable.

** Must be tested in properly mounted state on the counterpart.



Imprint



				Zulässige Abweichung für Maße ohne Toleranzangabe Unless otherwise specified tolerances	Format/Size: A4	Maßstab/Scale:	Gewicht/Weight: 157 g/pcs
5	31323	21.03.2022	TTO	DIN ISO 2768-v	Werkstoff: Material:		
4	28399	22.03.2018	GJO		Benennung: Title:		
3	26609	08.02.2016	PKR		Molded con I2+E12h PVC3x0,75 2,00m 03Er		
2	26600	01.02.2016	PKR				
1	26443	27.10.2015	PKR				
Ind Rev	Änderung-Nr. Change no.	Datum Date	Name By		Ident. - Nr.:	Freigabe-Nr.: Approval no.:	Blatt: Sheet:
Geprüft: 21.03.2022 Checked: JONAS					612-202-0172	24277	1/1
Erstellt: 19.09.2012 Created: KROZSER					Ersatz für/Replacement for:		