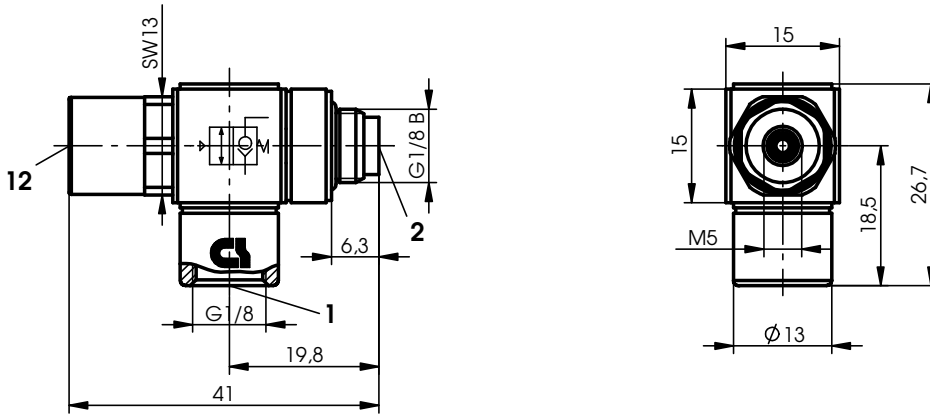


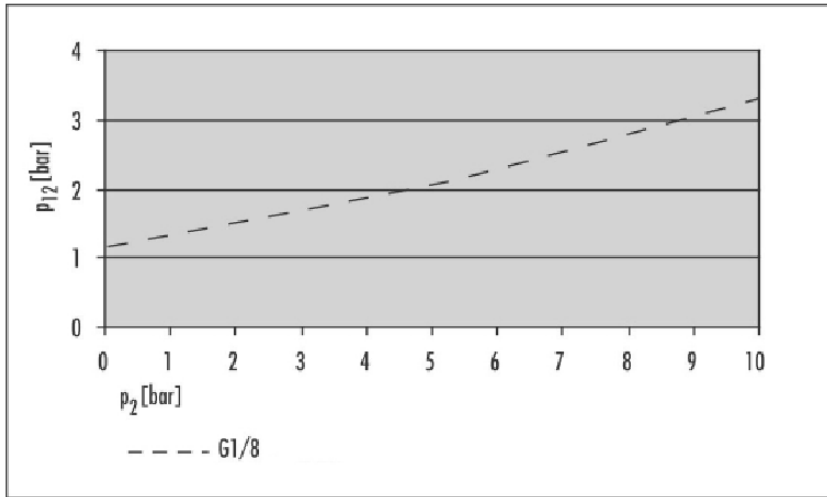
Function fittings, Pilot Operated Check Valve G1/8-G1/8

Dimensions

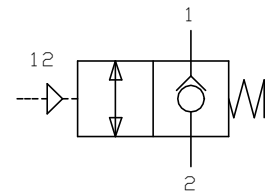


Signal pressure characteristics: min. signal pressure p_{12} to open the valve

3D-View M 1:2



Symbol



Valve can also be operated with port 2=inlet, port 1=exhaust

Flow

from 2 to 1, $p_1=5$ bar, $p_2=6$ bar, $p_{12}=6$ bar: 289 SLPM

from 1 to 2, $p_1=5$ bar, $p_2=6$ bar, $p_{12}=0$ bar: 128 SLPM

Materials: brass, brass zink-plated, aluminium black anodised, PA6 black, NBR

Temperature range: -10 °C up to +70 °C

Operating pressure: 1 bar up to 10 bar

Tightening torque: max. 10 Nm

Compressed air: acc. ISO 8573-1:2010[1:4:1]

Packaging: single package in plastic bag

				Zulässige Abweichung für Maße ohne Toleranzangabe Unless otherwise specified tolerances DIN ISO 2768 - mK	Format/Size: A4	Maßstab/Scale: 1:1	Gewicht/Weight: 32.85g		
				Schutzvermerk ISO 16016 beachten Observe protection note ISO 16016	Benennung: Titel: Pilot Operated Check Valve G1/8-G1/8				
1	25630	2014.09.17	LMA		Ident. - Nr.: 300-154-0003	Freigabe-Nr.: 24843	Blatt: Sheet:		
Ind Rev	Änderung-Nr. Change no.	Datum Date	Name By		Ersatz für/Replacement for: / 94041251	DIS 10009327/SWD/003/01			
Geprüft: 2014.09.24 Checked: PAL		Erstellt: 2013.09.12. Created: SPA							