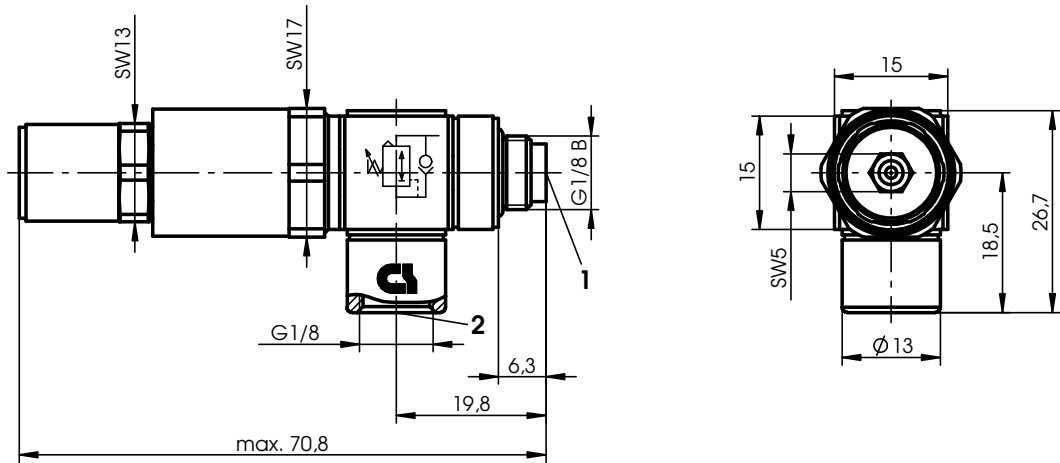
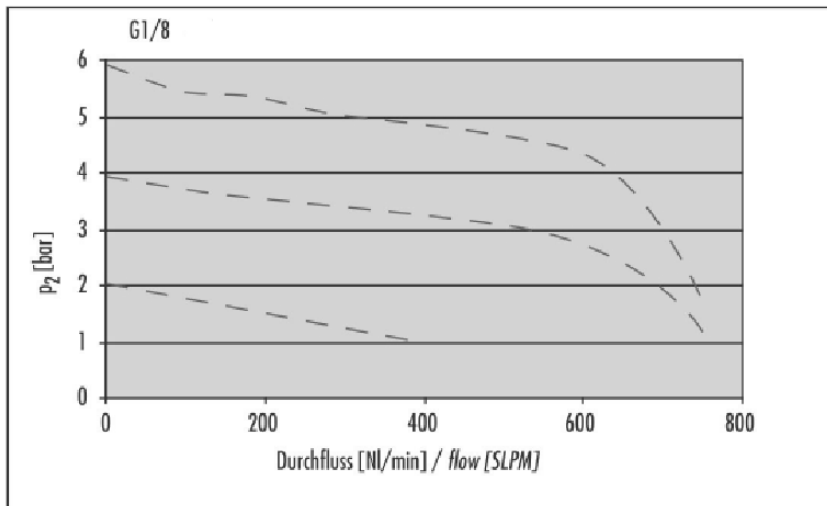


Function fittings, Pressure Regulator 8 G1/8-G1/8

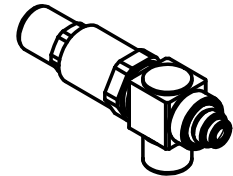
Dimensions



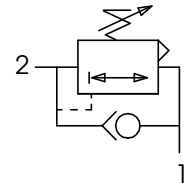
Flow characteristics: flow direction from 1 to 2, $p_1=7$ bar



3D-View M 1:2



Symbol



Materials: brass, brass zinc-plated, aluminium black anodised, PA6 black, NBR

Temperature range: -10 °C up to +70 °C

Primary pressure: 1 bar up to 16 bar

Secondary pressure: 1 bar up to 8 bar

Tightening torque: max. 10 Nm

Compressed air: acc. ISO 8573-1:2010[1:4:1]

Packaging: single package in plastic bag

				Zulässige Abweichung für Maße ohne Toleranzangabe Unless otherwise specified tolerances DIN ISO 2768 - mK	Format/Size: A4	Maßstab/Scale: 1:1	Gewicht/Weight: 62.32g		
				Schutzvermerk ISO 16016 beachten Observe protection note ISO 16016	Benennung: Title: Pressure Regulator 8 G1/8-G1/8				
1	25630	2014.09.17	LMA		Ident. - Nr.: 300-153-0007	Freigabe-Nr.: 24843	Blatt: Sheet:		
Ind Rev	Änderung-Nr. Change no.	Datum Date	Name By		Ersatz für/Replacement for: / 93041251		Approval no.:	DIS 10008331/SWD/003/01	
Geprüft: 2014.09.24 Checked: PAL		Erstellt: 2013.09.06. Created: SPA							