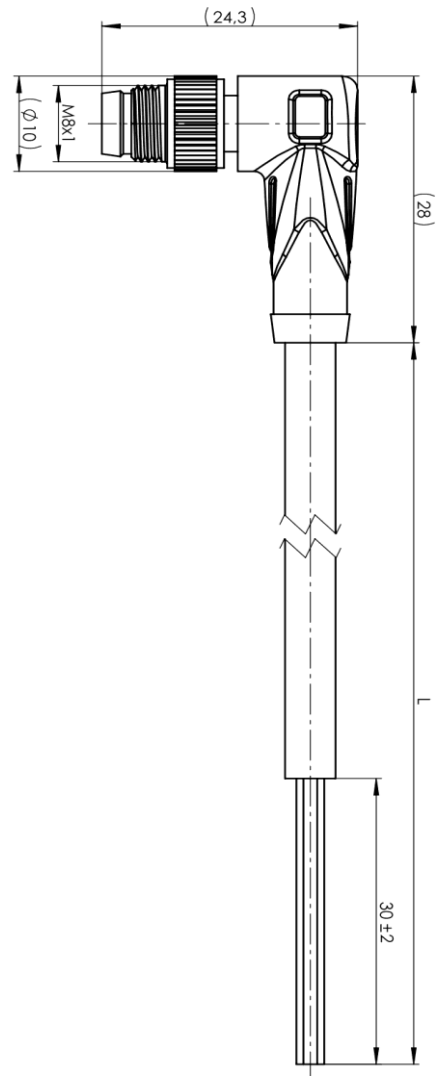


M8 round connector acc. to IEC 61076-2-104:2008

Projected view



General specifications

Form	M8
Connection	male
Connection type	angled
Number of pins	3

Mechanical specifications

Contact elements	spring-loaded contact socket
Pin diameter	1 mm
Contact materials	CuSn / Au
Contact surface	Au
Body	TPU, black
Sleeve connector	Diecast zinc

Cable

Sheath material	PUR
Sheath color	grey
Sheath diameter	Ø 4,8 mm
Length	5 m ± 50mm
Core isolation	polypropylene
Number of cores	3-core
Conductor construction	19 x Ø 0,15mm
Cross-section	3x0,34 mm ²

Elektrical specifications

Operating voltage	max. 60V DC
Operating current	max. 4A

General properties

Ambient temperature	-20 ... +80°C
IP protection degree acc. to EN 60529:2000	IP67/IP68/IP69K

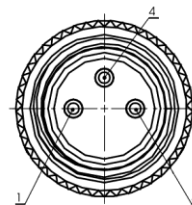
Packaging


Single package

Color of cores

1-brown
3-blue
4-black

Positions of contacts



				Zulässige Abweichung für Maße ohne Toleranzangabe Unless otherwise specified tolerances	Format/Size: A4	Maßstab/Scale:	Gewicht/Weight:
				DIN ISO 2768-v	Werkstoff: Material:		
				Schutzvermerk beachten Observe protection note ISO 16016	Benennung: Title:		
					<h2>Round connector M8 male angled 5/3 PUR 5,00m</h2>		
Ind Rev	Änderung-Nr. Change no.	Datum Date	Name By		Ident. - Nr.: 617-202-0118	Freigabe-Nr.: Approval no.: 26886	Blatt: Sheet: 1/1
Geprüft: Checked: 01.08.2016 PAL				Ersatz für/Replacement for:			
Erstellt: Created: 01.08.2016 MANGRA							