

M8 round connector acc. to IEC 61076-2-104:2008

SAP TIM

General specifications

Form M8
 Connection female
 Connection type angled
 Number of pins 4

Mechanical specifications

Contact elements spring-loaded contact socket
 Pin diameter 1 mm
 Contact materials CuSn / Au
 Contact surface Au
 Body TPU, black
 Sleeve connector Diecast zinc

Cable

Sheath material PVC
 Sheath color grey
 Sheath diameter \varnothing 4,3 mm
 Length 3 m \pm 50mm
 Core isolation PVC
 Number of cores 4-core
 Conductor construction 14 x \varnothing 0,15mm
 Cross-section 4x0,25 mm²

Elektrical specifications

Operating voltage max. 30V AC/DC
 Operating current max. 2A

General properties

Ambient temperature -5 ... +70°C
 IP protection degree acc. to EN 60529:2000 IP67/IP68/IP69K

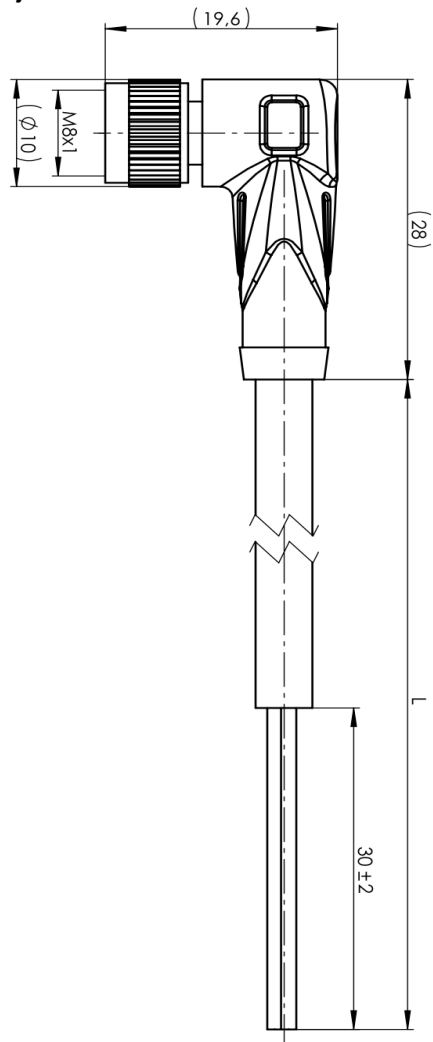
Packaging

Single package

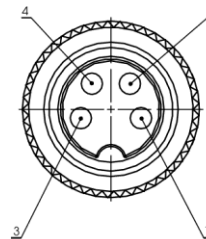
Color of cores


1-brown
 2-white
 3-blue
 4-black

Projected view



Positions of contacts



				Zulässige Abweichung für Maße ohne Toleranzangabe Unless otherwise specified tolerances	Format/Size: A4	Maßstab/Scale:	Gewicht/Weight:
				DIN ISO 2768-v	Werkstoff: Material:		
				Schutzvermerk beachten Observe protection note ISO 16016	Benennung: Title: Round connector M8 female angled 5/4 PVC 3,00m		
Ind Rev	Änderung-Nr. Change no.	Datum Date	Name By		Ident. - Nr.:	Freigabe-Nr.:	Blatt:
Geprüft: Checked:	01.08.2016 PAL				617-202-0124	26886	1/1
Erstellt: Created:	01.08.2016 MANGRA				Ersatz für/Replacement for:		