

# M12 round connector acc. to IEC 61076-2-104:2008

SAP TIM

## General specifications

Form	M12
Connection	male
Connection type	angled
Number of pins	5

## Mechanical specifications

Contact elements	spring-loaded contact socket
Pin diameter	1 mm
Contact materials	CuSn / Au
Contact surface	Au
Body	TPU, black
Sleeve connector	Diecast zinc

## Cable

Sheath material	PVC
Sheath color	grey
Sheath diameter	Ø 4,8 mm
Lenght	3 m ± 50mm
Core isolation	PVC
Number of cores	5-core
Conductor construction	19 x Ø 0,15mm
Cross-section	5x0,34 mm <sup>2</sup>

## Elektrical specifications

Operating voltage	max. 60V DC
Operating current	max. 4A

## General properties

Ambient temperature	-5 ... +70°C
IP protection degree acc. to EN 60529:2000	IP67/IP68/IP69K

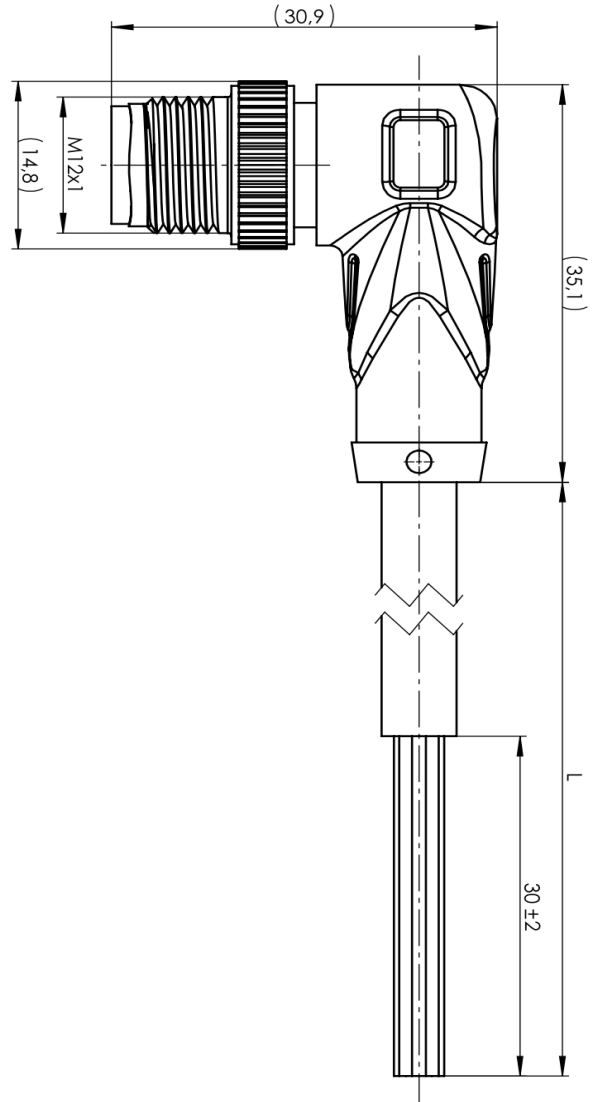
## Packaging

Single package

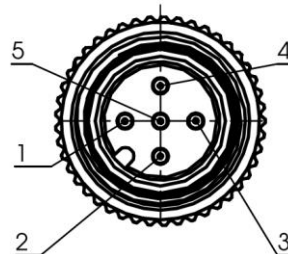
## Color of cores

- 1-brown
- 2-white
- 3-blue
- 4-black
- 5-grey

Projected view



Positions of contacts



			Zulässige Abweichung für Maße ohne Toleranzangabe Unless otherwise specified tolerances	Format/Size: A4	Maßstab/Scale:	Gewicht/Weight:
			DIN ISO 2768-v	Werkstoff: Material:		
			Schutzvermerk beachten Observe protection note ISO 16016	Benennung: Title:		
				<b>Round connector M12 male angled 5/5 PVC 3,00m</b>		
Ind Rev	Änderung-Nr. Change no.	Datum Date		Name By	Ident. - Nr.: <b>617-202-0142</b>	Freigabe-Nr.: Approval no.: 26886
Geprüft: Checked:	01.08.2016 PAL	Ersatz für/Replacement for:				
Erstellt: Created:	01.08.2016 MANGRA					