

# Molded connector, form B, industrial type

## Molded sheathing

Color anthracite (translucent)  
 Material TPU  
 Imprint circuit diagram; white; on front side

## Terminal block

Material PA6 GF15  
 Poles 2 + PE  
 Direction of protecting earth 12 h  
 Contact distance 11 mm

## Cable

Jacket PVC, black  
 Internal cores yellow/green, blue, brown  
 Cores x cross-section 3 x 0,75 mm<sup>2</sup>  
 Outer diameter ca. 6,7 mm  
 Length (L) 2,00 m  
 Stripping (A) 30,0 mm  
 Core ends equipped with wire end sleeves  
 Temperature range (fix) -30 ... +80°C  
 Temperature range (flexible) -5 ... +70°C

## Contacts

Material CuZn, coated with Cu/Sn  
 Forward resistances < 15 mOhm

## Gasket

Type TPU, molded

## Fastening screw

Material A2-50 (stainless steel)  
 Size M3 x 26,0 mm  
 Recess type cross recess (type H) with longitudinal slot  
 Tightening torque 0,4 ± 0,1 Nm

## Circuit

Built-in electronics LED + varistor  
 LED red  
 Protecting element yes, varistor  
 Voltage range 12 V - 24 V  
 Current type AC/DC  
 Operating current max. 1,50 A (Derating is to be considered.)  
 Protection against wrong polarity yes

## General properties

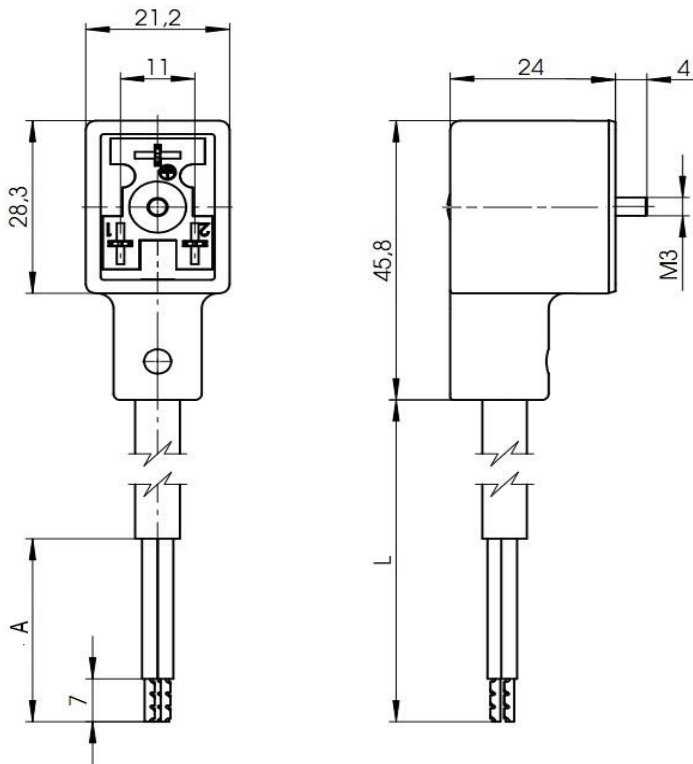
Temperature range \* -25 ... +90°C  
 RoHS yes  
 Protection grade (IEC 60529) \*\* IP67

## Packaging

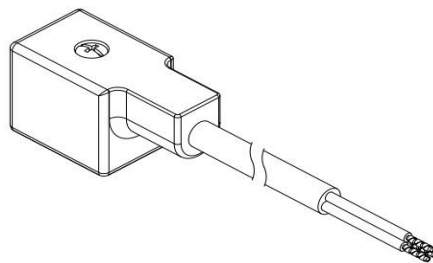
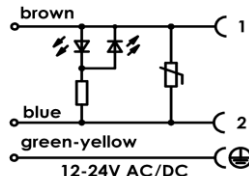
60 pcs packaging.  
 2x30 pcs. fastening screw in plastic bags.  
 Size of the cardboard box: 380x260x260 mm.  
 packaging weight: ca. 9,4 kg

\* Depends on the connected cable.

\*\* Must be tested in properly mounted state on the counterpart.



## Imprint



				Zulässige Abweichung für Maße ohne Toleranzangabe Unless otherwise specified tolerances	Format/Size: A4	Maßstab/Scale:	Gewicht/Weight: 157 g/pcs
5	31323	21.03.2022	TTO	DIN ISO 2768-v	Werkstoff: Material:		
4	31263	23.02.2022	LMA		Benennung: Title:		
3	28399	22.03.2018	GJO		<b>Molded con I2+E12h PVC3x0,75                  2,00m 03Fr</b>		
2	26609	08.02.2016	PKR				
1	26443	27.10.2015	PKR				
Ind Rev	Änderung-Nr. Change no.	Datum Date	Name By		Ident. - Nr.:	Freigabe-Nr. Approval no.:	Blatt: Sheet:
Geprüft: 21.03.2022 Checked: JONAS					612-202-0237	25984	1/1
Erstellt: 06.03.2015 Created: KROZSER					Ersatz für/Replacement for:		