

Molded connector, form A, analogue with EN 175301-803 (ISO 4400)

Molded sheathing

Color anthracite (translucent)
 Material TPU
 Imprint circuit diagram; white; on front side

Terminal block

Material PA6 GF15
 Poles 2 + 2 PE
 Direction of protecting earth 6/12 h
 Contact distance 18 mm

Cable

Jacket PVC, black
 Internal cores yellow/green, blue, brown
 Cores x cross-section 3 x 0,75 mm²
 Outer diameter ca. 6,7 mm
 Length (L) 5,00 m
 Stripping (A) 30,0 mm
 Core ends equipped with wire end sleeves
 Temperature range (fix) -30 ... +80°C
 Temperature range (flexible) -5 ... +70°C

Contacts

Material CuZn, coated with Cu/Sn
 Forward resistances < 15 mOhm

Gasket

Type TPU, molded

Fastening screw

Material A2-50 (stainless steel)
 Size M3 x 26,0 mm
 Recess type cross recess (type H) with longitudinal slot
 Tightening torque 0,4 ± 0,1 Nm

Circuit

Built-in electronics LED + bridge rectifier + varistor
 LED red
 Protecting element yes, varistor at input, diodes at output
 Voltage range 110 V - 230 V
 Current type AC/DC
 Operating current max. 1,50 A (Derating is to be considered.)
 Protection against wrong polarity yes

General properties

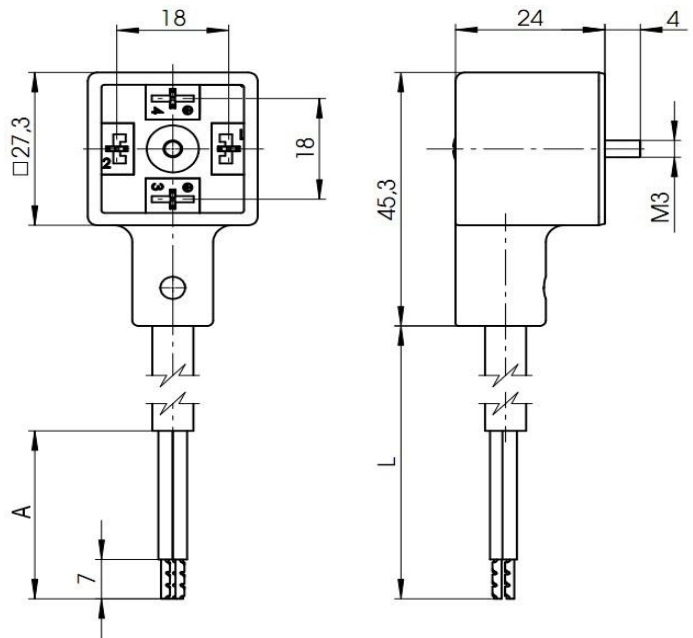
Temperature range * -25 ... +90°C
 RoHS yes
 Protection grade (IEC 60529) ** IP67

Packaging

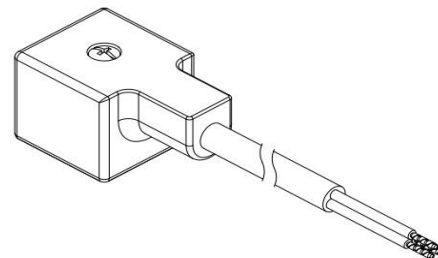
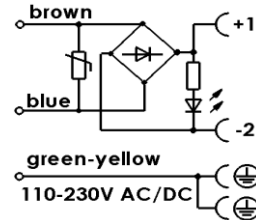
30 pcs packaging.
 1x30 pcs. fastening screw in plastic bags.
 Size of the cardboard box: 380x260x260 mm.
 packaging weight: ca. 11,1 kg

* Depends on the connected cable.

** Must be tested in properly mounted state on the counterpart.



Imprint



				Zulässige Abweichung für Maße ohne Toleranzangabe Unless otherwise specified tolerances	Format/Size: A4	Maßstab/Scale:	Gewicht/Weight: 370 g/pcs				
				DIN ISO 2768-v	Werkstoff: Material:						
				Schutzvermerk ISO 16016 beachten Observe protection note ISO 16016	Benennung: Title:	Molded con A2+2E12 PVC3x0,75 5,00m 09Jr					
1	31323	21.03.2022	TTO		Ident. - Nr.:	611-202-0390	Freigabe-Nr.: Approval no.:	25984	Blatt: Sheet:	1/1	
Geprüft: Checked:	21.03.2022 JONAS				Ersatz für/Replacement for:						
Erstellt: Created:	06.03.2015 KROZSER										