

Connector, form A, analogue with EN 175301-803 (ISO 4400)

Housing

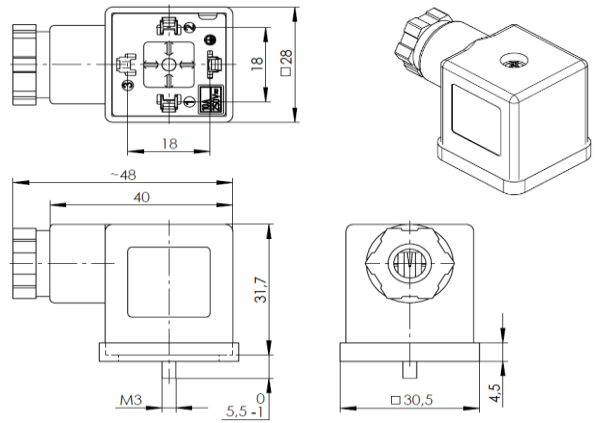
Type	one-piece
Color	black
Material	PA6 GF30
Imprint	n/a

Cable gland

Thread	M16 x 1,5 mm
Cable diameter	4-6 mm
Color	black
Material	PA6 GF30
Tightening torque	1,8 ± 0,2 Nm

Terminal block

Material	PA6 GF30
Poles	2 + PE
Direction of protecting earth	12 h
Contact distance	18 mm



③ Contacts **

Material	CuZn, tin-plated
Resistance	< 15 mOhm
Conductor cross-section	0,5 - 1,5 mm ²
Tightening torque	max. 0,3 Nm

Gasket

Material	NBR, black
Type	profile

Fastening screw

③ Material	steel 4.8, coated with zinc-nickel
③ Size	M3 x 34,0 mm (with cross recess)
Tightening torque	0,4 ± 0,1 Nm
Sealing washer	n/a

Circuit

Circuit	n/a
Color of LED	n/a
Protecting element	n/a
Voltage	0 - 250 V +15%
Current type	AC / DC
Operating current	max. 10 A
Protecting against wrong polarity	yes

General properties

Ambient temperature range	-25°C ... +90°C
RoHS	yes
CSA approval	n/a
Protection grade (IEC 60529) *	IP65

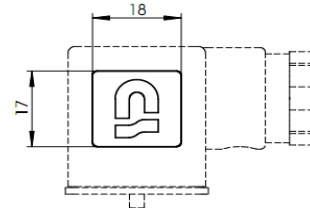
Packaging

Customer specific packaging. MOQ and shipping unit: 4000 pcs. connector.
 4x1000 pcs. pre-assembled terminal blocks are loose packed in cardboard boxes.
 4x1000 pcs. housings are loose packed in cardboard boxes.
 4x1000 pcs. profile gaskets, fastening screws, washers and pressure screws are loose packed in plastic bags and inserted in cardboard boxes.

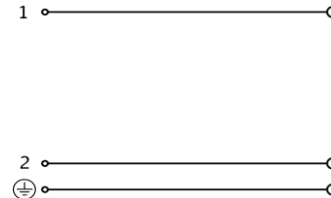
* Must be tested in properly mounted state on the counterpart.

** In order to establish a suitable electrical connection, the use of ferrules for stranded respectively fine-stranded conductors is mandatory. Be aware that the conductor cross-section affects the maximum current-load capacity.

Logo



Circuit diagram



				Zulässige Abweichung für Maße ohne Toleranzangabe Unless otherwise specified tolerances DIN ISO 2768-v	Format/Size: A4	Maßstab/Scale:	Gewicht/Weight:
				Schutzvermerk beachten Observe protection note ISO 16016	Werkstoff: Material:		
3	31633	29.09.2022	BKI		Benennung: Title:		
2	31318	01.04.2022	GJO		<h1>Connector field att. A oS</h1>		
1	29385	01.07.2019	GJO				
Ind Rev	Änderung-Nr. Change no.	Datum Date	Name By		Ident. - Nr.:	Freigabe-Nr.: Approval no.:	Blatt: Sheet:
Geprüft: Checked:					611-201-1182	26269	1
Erstellt: Created:							
29.09.2022 JONAS							
07.08.2015 KROZSER							