

Molded connector, form C, analogue with EN 175301-803 (ISO 15217)

Molded sheathing

Color	anthracite (translucent) ⑦
Material	TPU
Imprint	circuit diagram; white; on front side

Terminal block

Material	PA6 GF15
Poles	2 + 2 PE
Direction of protecting earth	6/12 h
Contact distance	8 mm

Cable

Jacket	PVC, black
Internal cores	yellow/green, blue, brown
Cores x cross-section	3 x 0,50 mm ²
Outer diameter	ca. 5,1 mm
Length (L)	2,00 m
Stripping (A)	30,0 mm
Core ends	equipped with wire end sleeves
Temperature range (fix)	-30 ... +80°C
Temperature range (flexible)	-5 ... +70°C

Contacts

Material	CuZn, coated with Cu/Sn
Forward resistances	< 15 mOhm

Gasket

Type	TPU, molded
------	-------------

Fastening screw

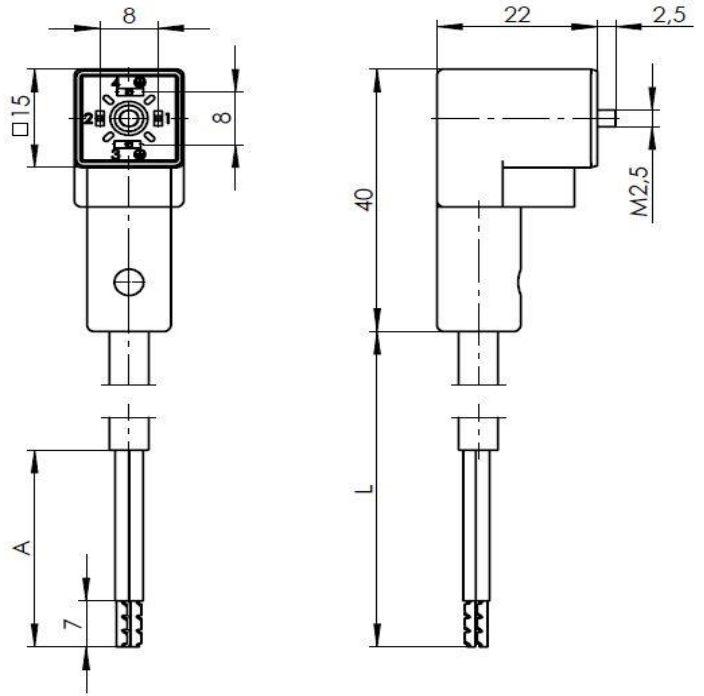
Material	A2-50 (stainless steel)
Size	M2,5 x 22,5 mm
Recess type	cross recess (type H) with longitudinal slot
Tightening torque	0,4 ± 0,1 Nm

Circuit

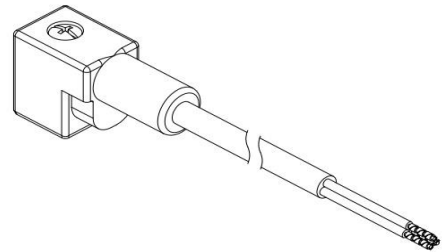
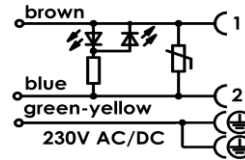
Built-in electronics	LED + varistor
LED	red
Protecting element	yes, varistor
Voltage range	230 V ± 15 %
Current type	AC/DC
Operating current	max. 1,50 A (Derating is to be considered.)
Protection against wrong polarity	yes

General properties

Temperature range *	-25 ... +90°C
RoHS	yes
Protection grade (IEC 60529) **	IP67



Imprint



⑦ Packaging

Single packaging. The molded connector is single packed in the plastic bag and inserted into the cardboard box. Fastening screw is inserted into the plastic bag. Product informations are displayed on the label of the plastic bag. Kunststoffbeutel Größe ist 200X300mm.

* Depends on the connected cable.

** Must be tested in properly mounted state on the counterpart.

7	30748	2022.01.12	BAL	Zulässige Abweichung für Maße ohne Toleranzangabe Unless otherwise specified tolerances DIN ISO 2768-v	Format/Size: A4	Maßstab/Scale:	Gewicht/Weight: 88 g/pcs	
6	28485	2018.05.09	GJO		Schutzvermerk ISO 16016 beachten Observe protection note ISO 16016	Werkstoff: Material:		
5	27504	2017.02.27	LMA					
4	27448	2017.01.25	GJO					
3	26609	2016.02.08	PKR		Benennung: Title:	Molded con C2+2E12 PVC3x0,50 2,00m 03Er		
2	26600	2016.02.01	PKR					
1	26443	2015.10.27	PKR					
Ind Rev	Änderung-Nr. Change no.	Datum Date	Name By		Ident. - Nr.:	Freigabe-Nr.: Approval no.:	Blatt: Sheet:	
Geprüft: Checked:						615-202-0042	24279	1/1
Erstellt: Created:								
2022.01.12 MANGRA								
2015.10.27 KROZSER					Ersatz für/Replacement for:			