

Molded connector, form B, industrial type

Molded sheathing

Color anthracite (translucent)
 Material TPU
 Imprint circuit diagram; white; on front side

Terminal block

Material PA6 GF15
 Poles 2 + PE
 Direction of protecting earth 12 h
 Contact distance 11 mm

Cable

Jacket PVC, black
 Internal cores yellow/green, blue, brown
 Cores x cross-section 3 x 0,75 mm²
 Outer diameter ca. 6,7 mm
 Length (L) 2,00 m
 Stripping (A) 30,0 mm
 Core ends equipped with wire end sleeves
 Temperature range (fix) -30 ... +80°C
 Temperature range (flexible) -5 ... +70°C

Contacts

Material CuZn, coated with Cu/Sn
 Forward resistances < 15 mOhm

Gasket

Type TPU, molded

Fastening screw

Material A2-50 (stainless steel)
 Size M3 x 26,0 mm
 Recess type cross recess (type H) with longitudinal slot
 Tightening torque 0,4 ± 0,1 Nm

Circuit

Built-in electronics LED + varistor
 LED red
 Protecting element yes, varistor
 Voltage range 24 V ± 15 %
 Current type AC/DC
 Operating current max. 1,50 A (Derating is to be considered.)
 Protection against wrong polarity yes

General properties

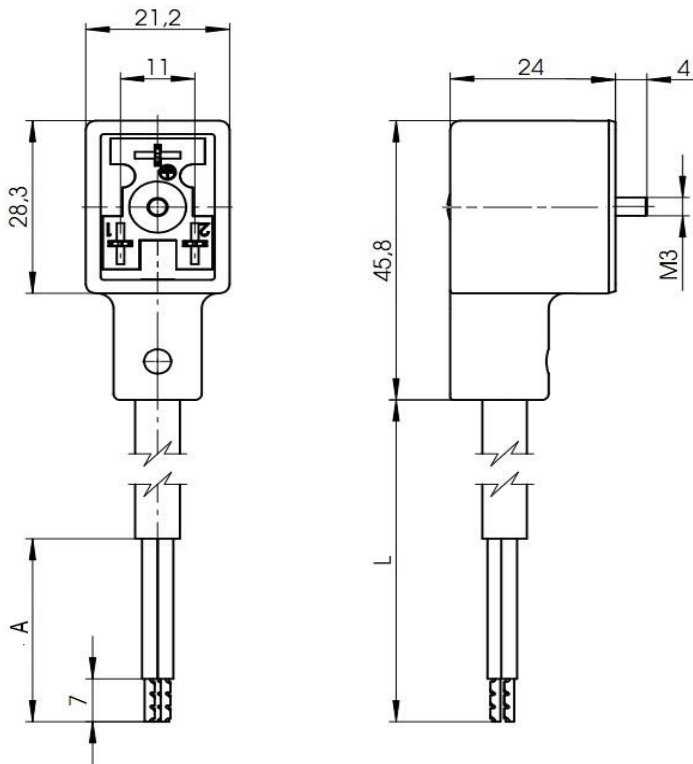
Temperature range * -25 ... +90°C
 RoHS yes
 Protection grade (IEC 60529) ** IP67

Packaging

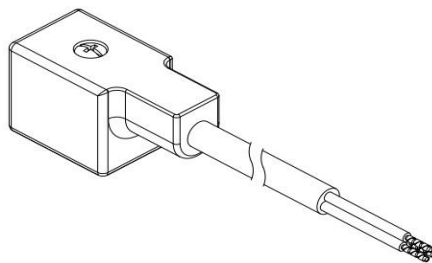
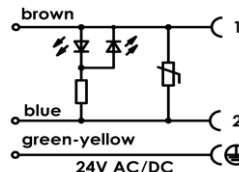
60 pcs packaging.
 2x30 pcs. fastening screw in plastic bags.
 Size of the cardboard box: 380x260x260 mm.
 packaging weight: ca. 9,4 kg

* Depends on the connected cable.

** Must be tested in properly mounted state on the counterpart.



Imprint



				Zulässige Abweichung für Maße ohne Toleranzangabe Unless otherwise specified tolerances	Format/Size: A4	Maßstab/Scale:	Gewicht/Weight: 157 g/pcs		
6	31323	21.03.2022	TTO	DIN ISO 2768-v	Werkstoff: Material:				
5	31263	23.02.2022	LMA		Benennung: Title: Molded con I2+E12h PVC3x0,75 2,00m 03Br				
4	28399	22.03.2018	GJO						
3	26609	08.02.2016	PKR	Schutzvermerk ISO 16016 beachten Observe protection note ISO 16016	Ident. - Nr.: 612-202-0193				
2	26600	01.02.2016	PKR					Freigabe-Nr.: 25235	Blatt: 1/1
1	26443	27.10.2015	PKR					Approval no.:	Sheet:
Ind Rev	Änderung-Nr. Change no.	Datum Date	Name By		Ersatz für/Replacement for:				
Geprüft: 21.03.2022									
Checked: JONAS									
Erstellt: 18.03.2014									
Created: KROZSER									