

Connector, form A, analogue with EN 175301-803 (ISO 4400)

Housing

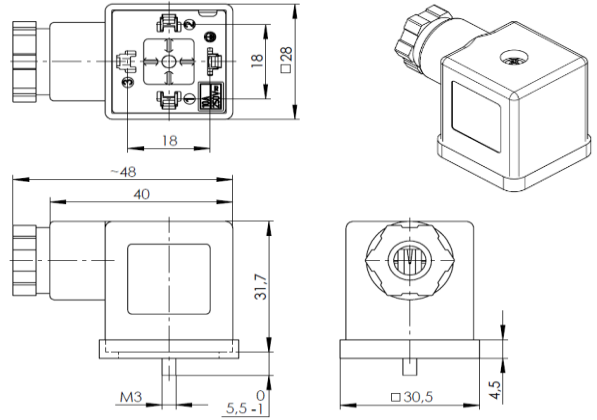
Type	one-piece
Color	black
Material	PA6 GF30
Imprint	n/a

Cable gland

Thread	M16 x 1,5 mm
Cable diameter	6-8 mm
Color	black
Material	PA6 GF30
Tightening torque	1,8 ± 0,2 Nm

Terminal block

Material	PA6 GF30
Poles	2 + PE
Direction of protecting earth	12 h
Contact distance	18 mm



② Contacts **

Material	CuZn, tin-plated
Resistance	< 15 mOhm
Conductor cross-section	0,5 - 1,5 mm ²
Tightening torque	max. 0,3 Nm

Gasket

Material	NBR, black
Type	profile

Fastening screw

Material	A2-50 (stainless steel)
Size	M3 x 33,5 mm (with cross recess)
Tightening torque	0,4 ± 0,1 Nm
Sealing washer	n/a

Circuit

Circuit	n/a
Color of LED	n/a
Protecting element	n/a
Voltage	0 - 250 V +15%
Current type	AC / DC
Operating current	max. 10 A
Protecting against wrong polarity	yes

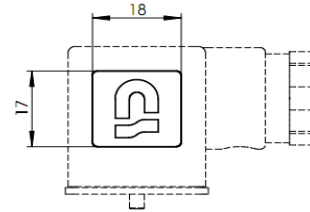
General properties

Ambient temperature range	-25°C ... +90°C
RoHS	yes
CSA approval	n/a

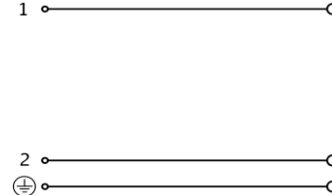
Packaging

100 pcs packaging. Terminal block and housing are packed in pre-assembled condition. Cable gland components are pre-assembled in housing. Fastening screw is inserted in the packet in packaged condition. Profile gasket is inserted into the packet in packaged condition.

Logo



Circuit diagram



** In order to establish a suitable electrical connection, the use of ferrules for stranded respectively fine-stranded conductors is mandatory. Be aware that the conductor cross-section affects the maximum current-load capacity.

				Zulässige Abweichung für Maße ohne Toleranzangabe Unless otherwise specified tolerances DIN ISO 2768-v	Format/Size: A4	Maßstab/Scale:	Gewicht/Weight:
				Schutzvermerk beachten Observe protection note ISO 16016	Werkstoff: Material:		
					Benennung: Title: <h1>Connector field att. A oS</h1>		
2	31796	25.01.2023	BKI		Ident. - Nr.: 611-201-1235		
1	31318	01.04.2022	GJO		Freigabe-Nr.: 27367		Blatt: 1
Ind Rev	Änderung-Nr. Change no.	Datum Date	Name By		Approval no.:		Sheet:
Geprüft: Checked: 25.01.2023 JONAS				Ersatz für/Replacement for:			
Erstellt: Created: 29.11.2016 MANGRA							